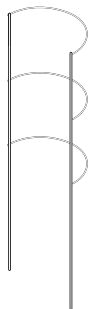


Includes 6 Segments & 12 Clips to create many configurations.

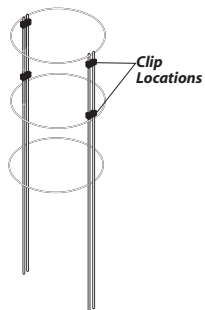
Here are some examples:

1 Segment



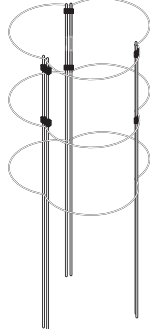
2 Segments

can make 3 sets



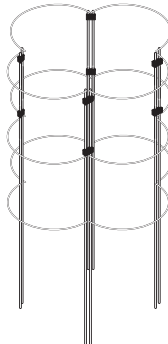
3 Segments

can make 2 sets

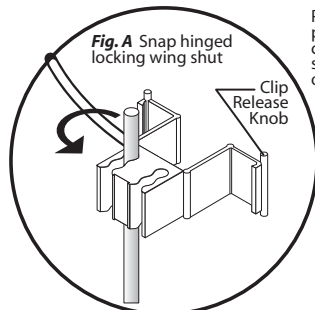
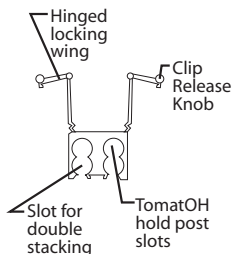


4 Segments

can make 1 set
with 2 left over



Trellis - 4' Section



Push TomatOH holder post into furthest in clip (see fig. A). Make sure clip opening faces out for easy access.

Double Stack

